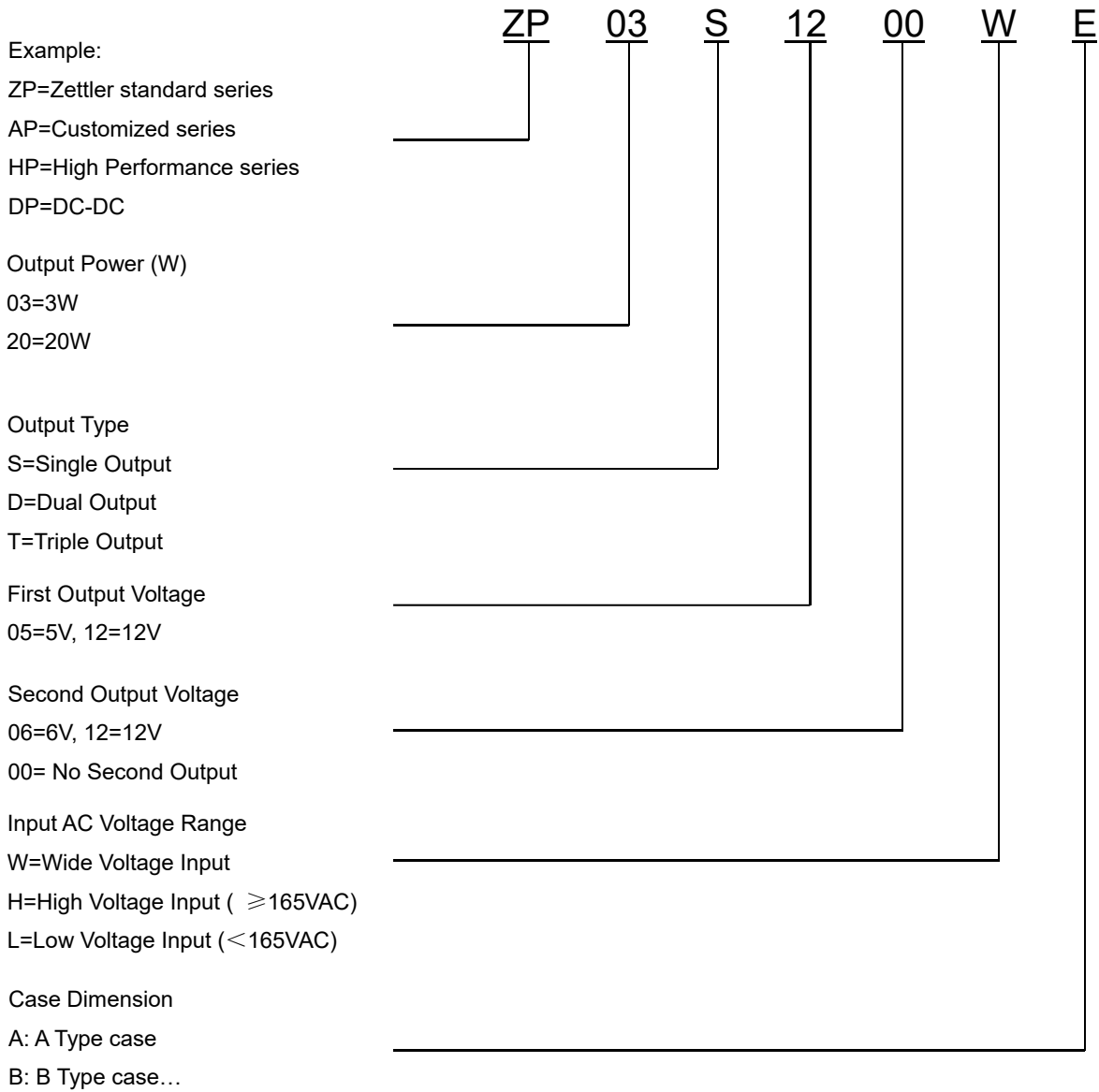


ORDERING CODE



FEATURES

- PCB mounted switching power module
- AC input voltage range: 85VAC~265VAC
- DC input voltage range: 100VDC~370VDC
- Ambient temperature range: -25°C~50°C
- Storage temperature range: -40°C~105°C
- Leakage current (Input :265VAC): <0.1mA
- Isolation voltage: Input –Output ≥3000VAC 60S
- Insulation Resistance: Input –Output 500VDC ≥100M Ohms
- MTBF: 300Khrs Min MIL-HDBK-217F (25°C)
- Compact size, easy installation
- High efficiency Low standby power consumption, environment-friendly
- Built-in output over current protection, over-voltage protection, short circuit protection
- Built-in EMI filter components, comply with the EN55032 class B standard
- Class II Construction

APPLICATIONS

This series could be widely applied in the LED, light control, Instrument, smart home and other home appliances.

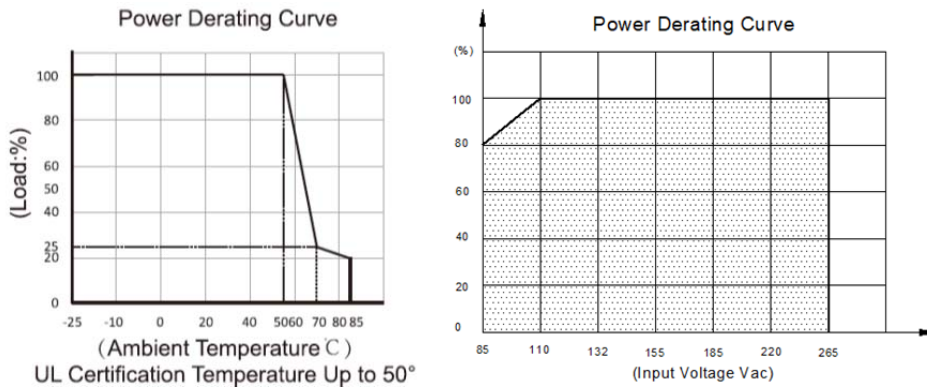
MODEL LIST

Model No.	Output Power	DC Voltage	Rated Current	Efficiency 230VAC, % Typ.	Ripple&Noise (max)	Ambient TEMP(°C)	Weight	Certificate		
								UL	TUV	CE
ZP03S0500WE	3W	5 Vdc	600mA	65%	<5% Vout	50	15g	●	●	●
ZP03S0600WE	3W	6 Vdc	500mA	65%	<5% Vout	50	15g	●	●	●
ZP03S0700WE	3W	7.5Vdc	400mA	65%	<5% Vout	50	15g	●	●	●
ZP03S0800WE	3W	8Vdc	375mA	65%	<5% Vout	50	15g	●	●	●
ZP03S0900WE	3W	9Vdc	333mA	65%	<5% Vout	50	15g	●	●	●
ZP03S1000WE	3W	10Vdc	300mA	65%	<5% Vout	50	15g	●	●	●
ZP03S1200WE	3W	12Vdc	250mA	65%	<5% Vout	50	15g	●	●	●
ZP03S1500WE	3W	15Vdc	200mA	65%	<5% Vout	50	15g	●	●	●
ZP03S1800WE	3W	18Vdc	166mA	65%	<5% Vout	50	15g	●	●	●
ZP03S2400WE	3W	24Vdc	125mA	65%	<5% Vout	50	15g	●	●	●

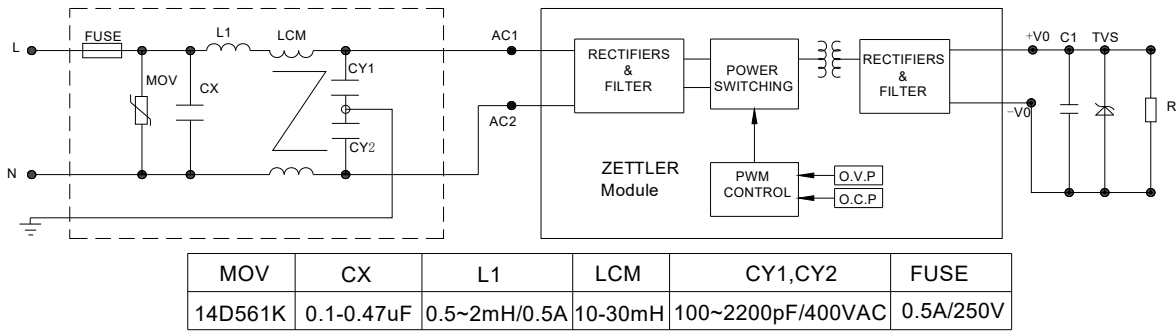
ELECTRICAL SPECIFICATION

Model No.		Specification		
Input	Rated Voltage	100-240VAC		
	Voltage Range	85-265VAC or 100-370VDC		
	Frequency (Hz)	47-63 Hz		
	Current (Full load)	115VAC	230VAC	
		70mA	40mA	
	Inrush Current (<500us)	10A	20A	
	No Load Loss	0.3W Max		
HOT PLUG	Unavailable			
Output	Voltage (V)	Refer to "Model List"		
	Current (mA) max.	Refer to "Model List"		
	Voltage Accuracy	0-10%: $\pm 7\%$ / 10-100% : $\pm 5\%$		
	Line Regulation	$\pm 2\%$		
	Load Regulation	$\pm 3\%$		
	Minimum Load (mA)	0		
	Ripple & Noise	Refer to "Model List"		
	Efficiency (typ.)	Refer to "Model List"		
	Set-up Time	15.9ms/230VAC, 23.8ms/115VAC		
	Hold up Time	20ms/230VAC , 10ms/115VAC		
Protection	Over Current Protection	$\geq 120\%$ Io Self-recovery		
	Short Circuit Protection	Hiccup ,continuous ,short capable, self-recovery		
Environment	Operating Temperature	-25°C...+50°C @Free air convection		
	Operating Humidity	10-90% RH		
	Storage Temperature	-40°C...+105°C		
	Storage Humidity	5-95% RH		
	Temperature Coefficient	$\pm 0.05\%/^{\circ}\text{C}$ (0~50°C)		
Physical	Case Material	Plastic (UL 94V-0 rated)		
	Weight	15g (ref.)		
Safety & EMC	Dielectric Strength	I/P-O/P : 3000VAC		
	Safety Standards	Compliance With UL/EN60950-1, UL/EN62368-1, EN61558-2-16		
	EMI	Compliance With EN55032 CLASS B, EN61000-3-2, EN61000-3-3	Need to add external EMC component (Refer to the Schematic)	
	EMS (Noise Immunity)	Compliance With EN55035		
Reliability Requirement	MTBF	300Khrs Min MIL-HDBK-217F (25°C)		
	Burn-In Test	The unit shall be burned in for 2~4 hours under 264Vac input and with full load at normal temperature		

PRODUCT CHARACTERISTIC CURVE



TYPICAL APPLICATION SCHEMATIC



Note: External circuit components are only recommendations, customers should choose their own components and values according to their specific system application requirements.

MECHANICAL SPECIFICATION

