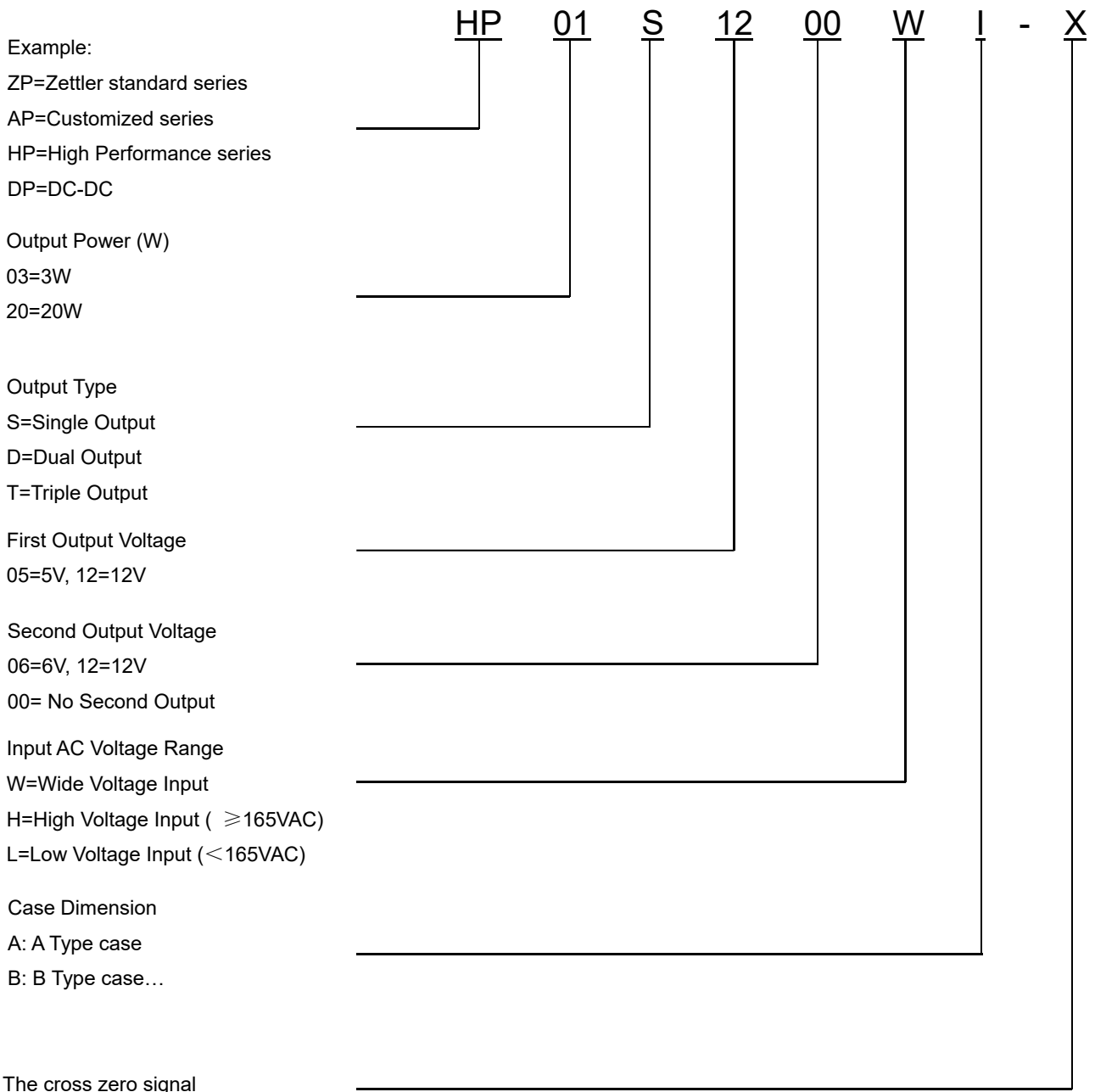


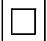
RoHS



ORDERING CODE



FEATURES

- PCB mounted switching Power module
- AC input voltage range: 85VAC~305VAC
- DC input voltage range: 100VDC~430VDC
- Ambient temperature range: -25°C~85°C
- Storage temperature range: -40°C~105°C
- Leakage current (Input :305VAC): <0.3mA
- Isolation voltage: Input –Output ≥3000VAC 60S
- Insulation Resistance: Input –Output 500VDC ≥100M Ohms
- MTBF:1000Khrs Min MIL-HDBK-217F (25°C)
- Compact size, easy installation
- High efficiency Low standby power consumption <0.3W, environment-friendly
- Built-in output over current protection, over-voltage protection, short circuit protection
- Built-in EMI filter components, comply with the EN55032 class B standard
- Class II Construction 

APPLICATIONS

This series could be widely applied in the LED, light control, Instrument, smart home and other home appliances.

NOTE: Contact Zettler for information on halogen free options

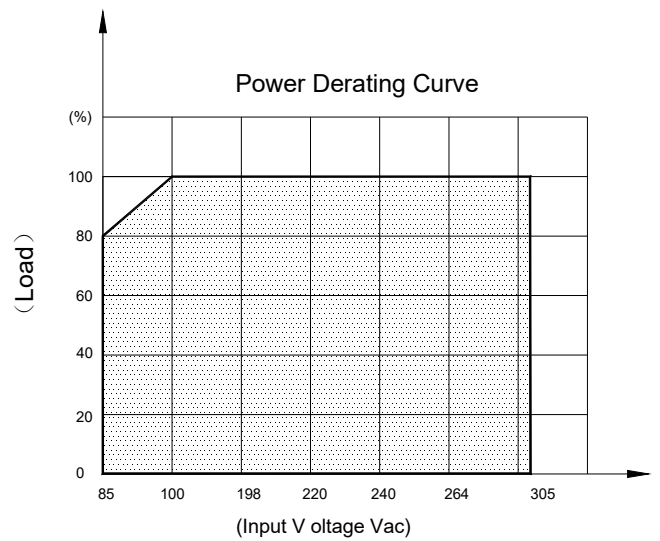
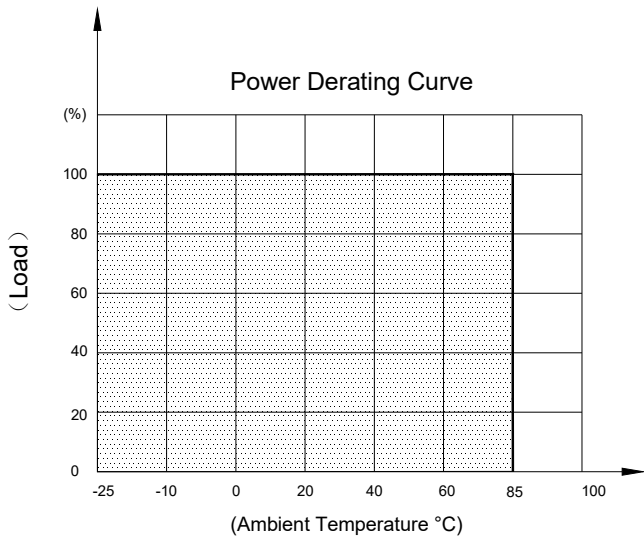
MODEL LIST

Model No.	Output Power	DC Voltage	Rated Current	Efficiency 230VAC, % Typ.	Ripple& Noise (max)	Ambient TEMP(°C)	Weight	Certificate	
								UL	TUV
HP01S0500WI-X	1W	5Vdc	200mA	63%	250mVp-p	85	20g	●	●
HP01S0600WI-X	1W	6Vdc	166mA	63%	240mVp-p	85	20g	●	●
HP01S0700WI-X	1W	7.5Vdc	133mA	63%	300mVp-p	85	20g	●	●
HP01S0800WI-X	1W	8Vdc	125mA	63%	240mVp-p	85	20g	●	●
HP01S0900WI-X	1W	9Vdc	111mA	63%	270mVp-p	85	20g	●	●
HP01S1000WI-X	1W	10Vdc	100mA	63%	300mVp-p	85	20g	●	●
HP01S1200WI-X	1W	12Vdc	83mA	63%	240mVp-p	85	20g	●	●
HP01S1500WI-X	1W	15Vdc	66mA	63%	300mVp-p	85	20g	●	●
HP01S1800WI-X	1W	18Vdc	55mA	63%	360mVp-p	85	20g	●	●

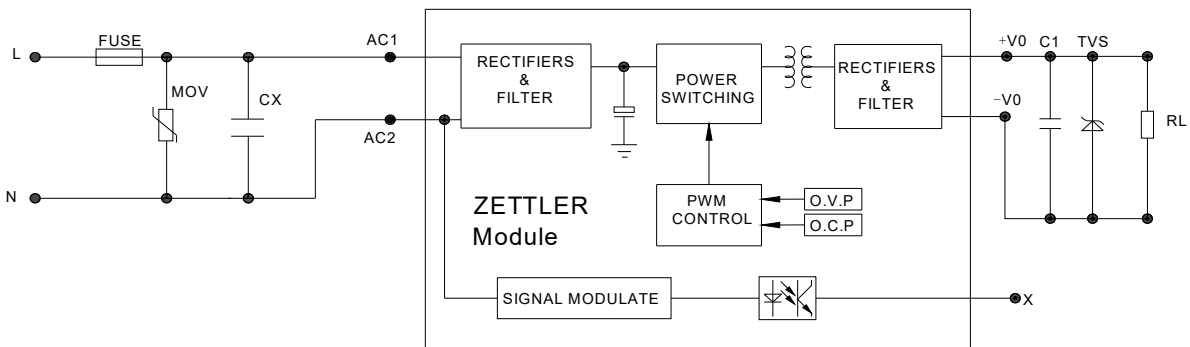
ELECTRICAL SPECIFICATION

Model No.		HP01SXX00WI-X		
Input	Rated Voltage	100-277VAC		
	Voltage Range	85-305VAC or 100-430VDC		
	Frequency (Hz)	47-63 Hz		
	Current (Full load)	115VAC	230VAC	277VAC
		25mA	18mA	15mA
	Inrush Current (<500us)	15A	25A	
	No Load Loss	0.3W Max@230VAC		
HOT PLUG	Unavailable			
Output	Voltage (V)	Refer to "Model List"		
	Current (mA) max.	Refer to "Model List"		
	Voltage Accuracy	0-10%: $\pm 7\%$ / 10%-100% : $\pm 5\%$		
	Line Regulation	$\pm 2\%$		
	Load Regulation	$\pm 3\%$		
	Minimum Load (mA)	0		
	Ripple & Noise	Refer to "Model List"		
	Efficiency (typ.)	Refer to "Model List"		
	Set-up Time	$\leq 50\text{ms}/230\text{VAC}, \leq 30\text{ms}/115\text{VAC}$		
	Hold up Time	$> 40\text{ms}/230\text{VAC}, 12\text{ms}/115\text{VAC}$		
	X Pin	3.3V P-P Pulse phase shift compare to input rise T1: 500us, Drop T2: 500us		
Phase shift @ Where		AC=0,Pulse rising edge shift (T1)		
		AC=0,Pulse dropping edge shift (T2)		
Protection	Over Current Protection	$\geq 120\%I_o$ Self-recovery		
	Short Circuit Protection	Hiccup ,continuous ,short capable, self-recovery		
Environment	Operating Temperature	$-25^{\circ}\text{C} \dots +85^{\circ}\text{C}$ @Free air convection		
	Operating Humidity	10-90% RH		
	Storage Temperature	$-40^{\circ}\text{C} \dots +105^{\circ}\text{C}$		
	Storage Humidity	5-95% RH		
	Temperature Coefficient	$\pm 0.03\%/^{\circ}\text{C}$ (0~85°C)		
Physical	Case Material	Plastic (UL 94V-0 rated)		
	Weight	20g (ref.)		
Safety & EMC	Dielectric Strength	I/P-O/P : 3000VAC		
	Protection against electric shock	Class II construction <input type="checkbox"/>		
	Safety Standards	Compliance With UL/EN62368-1		
	EMI	Compliance With EN55032, CLASS B EN61000-3-2, EN61000-3-3	Need to add external EMC component (Refer to the Schematic)	
	EMS (Noise Immunity)	Compliance With EN55035		
Reliability Requirement	MTBF	1000Khrs Min MIL-HDBK-217F (25°C)		
	Burn-In Test	The unit shall be burned in for 2~4 Hours under 277Vac input and with full load at 25°C		

PRODUCT CHARACTERISTIC CURVE



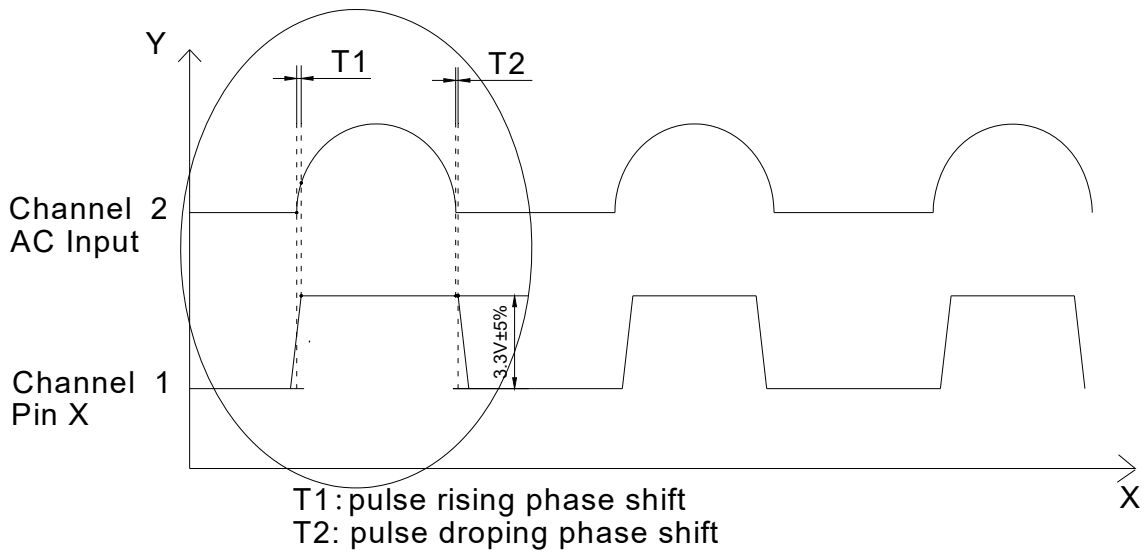
TYPICAL APPLICATION SCHEMATIC



ITEM	MOV	FUSE	CX
1~2W	14D561K	1A/300V	104pF/275V
3-10W	14D561K	2A/300V	0.1-0.47uF
10~20W	14D561K	3.15A/300V	0.1-0.47uF

Note: External circuit components are only recommendations, customers should choose their own components and values according to their specific system application requirements.

PHASE SHIFT



MECHANICAL SPECIFICATION

