

Compact Sliding Contact Type Detector Switch



SPVQ8 Series

**Compact size of 8.3 × 5.3 × 6.5mm (W × D × H),
drive mechanism detection such as in automotive, home appliances, etc.**



Features

- Industry's smallest size reduced 50% more compact than the conventional model.
- Secured 2mm overstroke which can contribute to the set design flexibility.
- Ensure high contact reliability under shock or vibration environment by adopting double-sided sliding contact.
- Main body: IP67 compliant dust-proof, water-proof structure.
- Applicable to 40 deg. oblique pressing without an actuator.

Applications

- For automotive devices such as detection of open-close and position for door, back door, hood etc.
- Drive mechanism detection such as in automotive devices/ home appliances.

Typical Specifications

Items		Specifications
Ratings(max.)/ (min.) (Resistive load)		0.1A 12V DC/ 50 μA 5 V DC
Contact resistance(Initial / After operating life)		500mΩ max. / 1Ω max.
Operating force		1 ±0.5N
Operating life	Without load	300,000cycles(Standard type) / 1,000,000cycles(Long life type)
	With load	300,000cycles(Standard type) / 1,000,000cycles(Long life type)

Product Line

Poles	Positions	Circuit	Terminal Style	Boss	Product No.		Minimum Order Unit (pcs.)
					Standard Type	Long Life Type	
1	1	Normal Open	For PC Board	Both Side	SPVQ810100	SPVQ830100	150
			Angle	Single Side	SPVQ810300	SPVQ830300	
				—	SPVQ810400	SPVQ830400	
			For PC Board	Single Side	SPVQ810500	SPVQ830500	
			For Lead		SPVQ810600	SPVQ830600	
					SPVQ810700	SPVQ830700	
			Normal Close	For PC Board	Both Side	SPVQ810800	
		Single Side			SPVQ820100	SPVQ840100	
		Angle		Single Side	SPVQ820300	SPVQ840300	
				—	SPVQ820400	SPVQ840400	
		For PC Board		Single Side	SPVQ820500	SPVQ840500	
					SPVQ820600	SPVQ840600	
					SPVQ820700	SPVQ840700	
		For Lead	Both Side	SPVQ820800	SPVQ840800		

Compact Sliding Contact Type Detector Switch



SPVQ8 Series

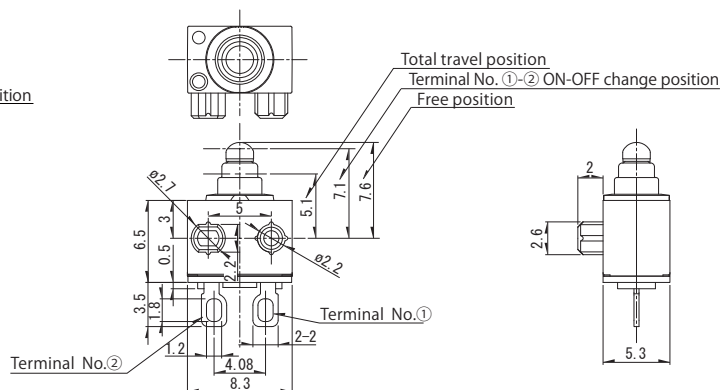
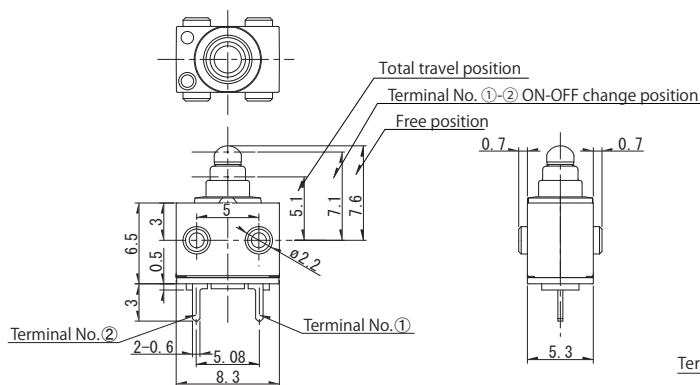
SPVQ8 Series

Dimensions

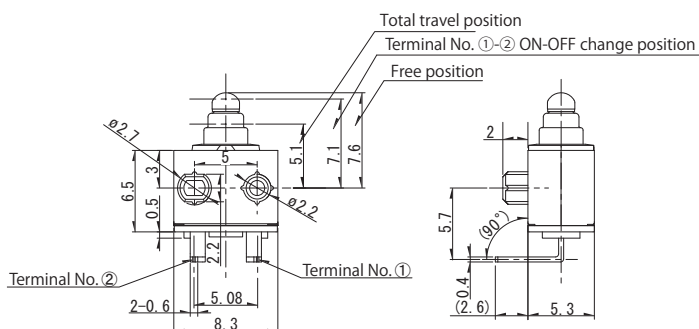
For PC Board Terminal Type (Double sided bosses)

For Lead Terminal Type (Single sided boss)

Unit:mm

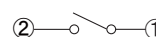


For Angle Terminal Type (Single sided boss)

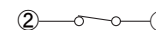


Circuit Diagram

Normal Open



Normal Close



Precautions when handling our products

1. For the export of products which are controlled items subject to foreign and domestic export laws and regulations, you must obtain approval and/or follow the formalities of such laws and regulations.
2. Products must not be used for military and/or antisocial purposes such as terrorism, and shall not be supplied to any party intending to use the products for such purposes.
3. Unless provided otherwise, the products have been designed and manufactured for application in equipment and devices which are sold to end-users in the market, such as AV (audio visual) equipment, home electronic equipment, office and commercial electronic equipment, information and communication equipment or amusement equipment. The products are not intended for use in, and must not be used for, any application of nuclear equipment, driving control equipment for aerospace or any other unauthorized use. With the exception of the above mentioned banned applications, for applications involving high levels of safety and liability such as medical equipment, burglar alarm equipment, disaster prevention equipment and undersea equipment, please contact an Alps sales representative and/or evaluate the total system on the applicability. Also, implement a fail-safe design, protection circuit, redundant circuit, malfunction protection and/or fire protection into the complete system for safety and reliability of the total system.
4. Before using products which were not specifically designed for use in automotive applications, please contact an Alps sales representative.

Cautions for using this catalog

1. The specifications herein are an overview of the specifications. Obtain official specifications before use.
2. The colors of the products in the catalog may slightly differ from those of the actual products.
3. The external appearance, functions and other specifications herein may be changed for improvement and other reasons without prior notice. Furthermore, the products herein may discontinue without prior notice.
4. All product names, company names and names of standards described in this catalog are trademarks or registered trademarks of their respective owners.
5. The contents of this catalog are according to Alps Electric as of August 2010.
6. This catalog is valid until the end of December 2010.

Inquiries about this product

Products Information Center

+81 (3) 5499-8154

Products Information Site

<http://www.alps.com/products/e/>

Perfecting the Art of Electronics

ALPS®

ALPS ELECTRIC CO., LTD.

1-7,Yukigaya-otsukamachi,Ota-ku,Tokyo,145-8501,Japan