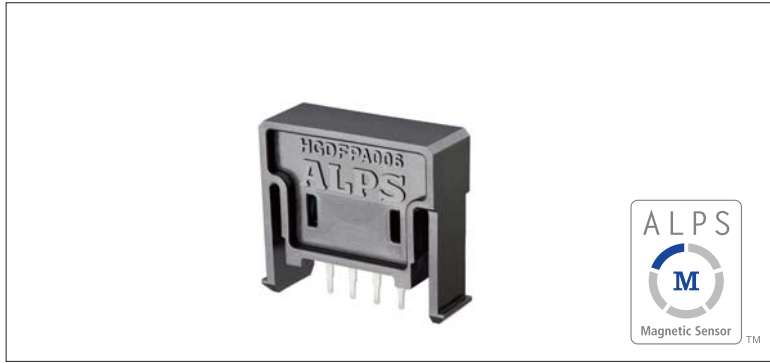


# Magnetic Sensor Switching Output (High Sensitivity Snap-in Type)

NEW  
2010

HGDFPA006A

Realizes high gap open/ close detection.



**Features**

- Compact package size (14.15×5×13mm).
- Easy mount snap-in type.
- Suitable for high gap open/ close detection system due to high sensitivity sensor(Hon= 0.6mT).
- Low current consumption of Ave. 1.65mA.

**Applications**

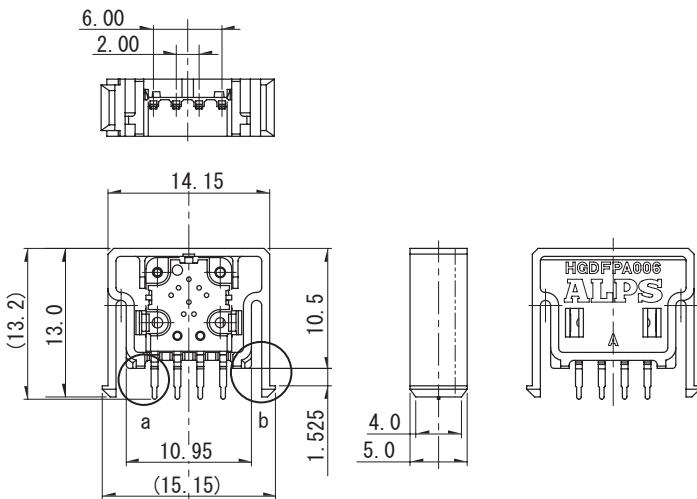
- For high gap open/ close detection of general home appliances: washing machines, refrigerators, microwaves, etc.
- For window or door open/ close detection in security systems.
- Non contact detection for detachable systems.

**Typical Specifications**

Items		Specifications
Dimensions(W×D×H)		14.15×5×13mm
Supply voltage		4.5 to 5.5V
Current consumption		Ave. 1.65mA 5V DC
Operating magnetic field	Hon	0.6mT
	Hoff	0.4mT
Mounting method		Snap-in

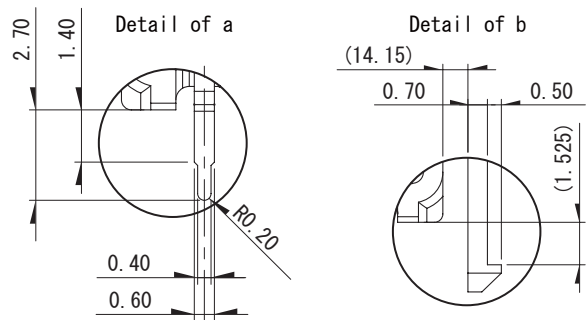
**Dimensions**

Unit:mm



**Detail of a, b**

Unit:mm



**Precautions when handling our products**

1. For the export of products which are controlled items subject to foreign and domestic export laws and regulations, you must obtain approval and/or follow the formalities of such laws and regulations.
2. Products must not be used for military and/or antisocial purposes such as terrorism, and shall not be supplied to any party intending to use the products for such purposes.
3. Unless provided otherwise, the products have been designed and manufactured for application in equipment and devices which are sold to end-users in the market, such as AV (audio visual) equipment, home electronic equipment, office and commercial electronic equipment, information and communication equipment or amusement equipment. The products are not intended for use in, and must not be used for, any application of nuclear equipment, diving control equipment for aerospace or any other unauthorized use.  
With the exception of the above mentioned banned applications, for applications involving high levels of safety and liability such as medical equipment, burglar alarm equipment, disaster prevention equipment and undersea equipment, please contact an Alps sales representative and/or evaluate the total system on the applicability. Also, implement a fail-safe design, protection circuit, redundant circuit, malfunction protection and/or fire protection into the complete system for safety and reliability of the total system.
4. Before using products which were not specifically designed for use in automotive applications, please contact an Alps sales representative.

**Cautions for using this catalog**

1. The specifications herein are an overview of the specifications. Obtain official specifications before use.
2. The colors of the products in the catalog may slightly differ from those of the actual products.
3. The external appearance, functions and other specifications herein may be changed for improvement and other reasons without prior notice. Furthermore, the products herein may discontinue without prior notice.
4. SENSORING is a trademark of ALPS ELECTRIC CO., LTD. in Japan.
5. All product names, company names and names of standards described in this catalog are trademarks or registered trademarks of their respective owners.
6. The contents of this catalog are according to Alps Electric as of February 2010.
7. This catalog is valid until the end of December 2010.

**Inquiries about this product**

Products Information Center  
+81 (3) 5499-8154  
Products Information Site  
<http://www.alps.com/products/e/>

**ALPS ELECTRIC CO., LTD.**  
1-7,Yukigaya-otsukamachi,Ota-ku,Tokyo,145-8501,Japan